

MODEL 72L TEFZEL-LINED BASKET STRAINER

Sizes 1" to 6", Carbon Steel with Tefzel® Plastic Lining, Flanged

Heavy Duty
Tefzel® Liner



Features

- Excellent corrosion resistance
- Abrasion resistant 1/8" Tefzel® lining
- Service temperatures to 300°F
- Quick opening covers
- Large capacity baskets
- Flanged drain
- Standard perforated basket
- Low cost alternative to exotic alloy strainers

Options

- Monel baskets
- Hastelloy C baskets
- Tefzel-coated baskets

A continuous lining of advanced fluoropolymer resin makes the Model 72L simplex strainer an excellent low cost alternative to exotic alloy strainers in a wide variety of corrosive or abrasive lined piping applications. These applications include waste water treatment, paper mills, hazardous materials, flue gas systems, ultra pure water handling, chemical and petrochemical processing. The basic design of the Model 72L is that of our popular, time tested Model 72.

The body and cover of the Model 72L are lined, not just coated, with Tefzel® – which protects all wetted surfaces of the strainer – making it impervious to attack by chemicals that can cause rapid deterioration of other types of plastics and all but the most costly metal alloys.

The Tefzel fluoropolymer lining is inert to strong mineral acids, inorganic bases, halogens and metal salt solutions. Even carboxylic acids, anhydrides, aromatic and aliphatic hydrocarbons, alcohols, aldehydes, ketones, ethers, esters, chlorocarbons and classic polymer solvents have little effect on the Tefzel lining. Service temperatures can range up to 300°F in many applications. The lining also displays excellent mechanical strength when handling abrasive slurries.

Fitted with fluoropolymer coated perforated baskets or mesh baskets made of Monel or Hastelloy C these strainers can be used in almost any lined piping or similar corrosive/abrasive strainer application.

Selection Chart

Size	Material	End Connection*	Seals	Pressure Rating
1" to 6"	Carbon Steel with Tefzel® Liner	Flanged 150#	Viton®	200 psi @ 100F

* DIN flanges available

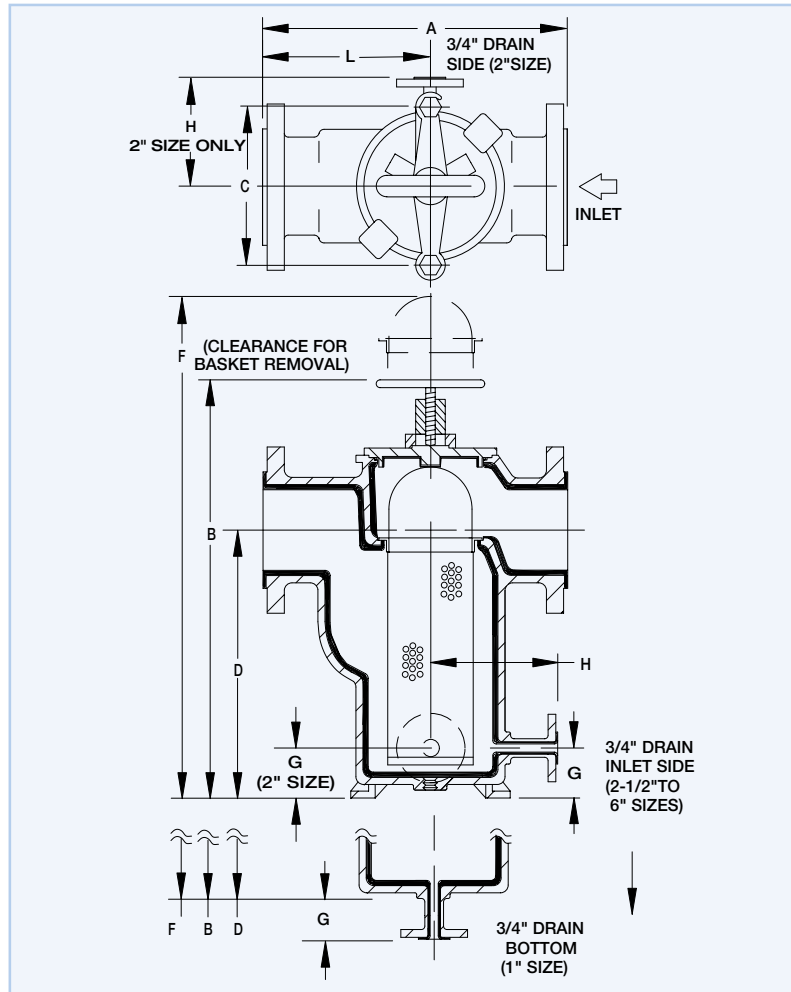
Tefzel is a trademark of E.I. DuPont

C_v Factors*

Size	Value	Size	Value
1"	23	3"	170
2"	72	4"	350
2-1/2"	135	6"	880

* For water with clean, perforated basket

Technical Details



Dimensions and weights are for reference only. Contact us for certified drawings.

Basket And Screen Effective Area – Tefzel®-Coated Basket

Pipe Size (in)	Perf. Size (in)	Pipe Area (in ²)	Screen Area (in ²)	Free Area (in ²)	Free/Pipe Ratio
1"	1/32	0.86	19.5	5.2	6.1
2"	1/16	3.35	50.9	15.8	4.7
2-1/2"	1/16	4.78	80.2	24.9	5.2
3"	5/32	7.39	114.5	72.1	9.8
4"	5/32	12.73	168.3	106.0	8.3
6"	5/32	28.90	324.2	204.2	7.1

Dimensions (in / mm)

Pipe Size	A	B	C	D	F	G	H	J	K	L	Dry Wt. lb / kg
1	7.88 / 200	9.00 / 229	4.00 / 102	5.00 / 127	12 / 305	2.75 / 70	—	—	—	4.50 / 114	15 / 7
2	10.75 / 273	13.75 / 349	6.75 / 172	7.63 / 194	20 / 508	1.88 / 48	5.63 / 143	5.50 / 140	2.50 / 64	5.88 / 149	48 / 22
2-1/2	11.88 / 302	15.75 / 400	8.00 / 203	8.88 / 226	23 / 584	2.19 / 56	6.25 / 159	6.50 / 165	2.88 / 73	6.50 / 165	70 / 32
3	13.75 / 349	18.75 / 476	8.00 / 203	12.00 / 305	27 / 686	2.31 / 59	6.38 / 162	7.00 / 118	3.13 / 80	7.38 / 187	95 / 43
4	17.50 / 445	20.00 / 508	10.75 / 273	10.69 / 272	30 / 762	2.38 / 60	7.75 / 197	10.00 / 254	3.88 / 99	9.75 / 248	139 / 63
6	19.88 / 505	28.25 / 718	10.75 / 273	18.31 / 465	46 / 1168	2.19 / 56	7.88 / 200	10.00 / 254	5.00 / 127	11.00 / 279	250 / 1134